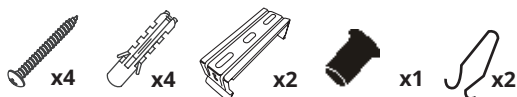
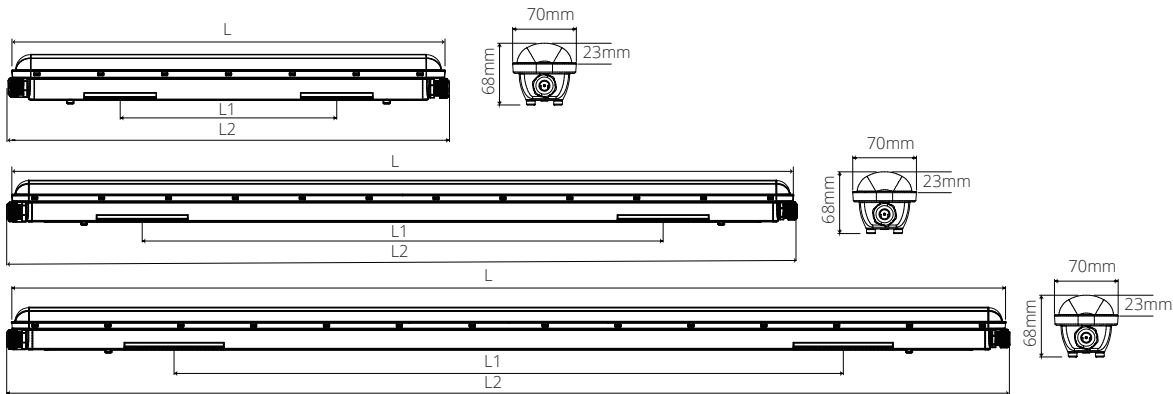
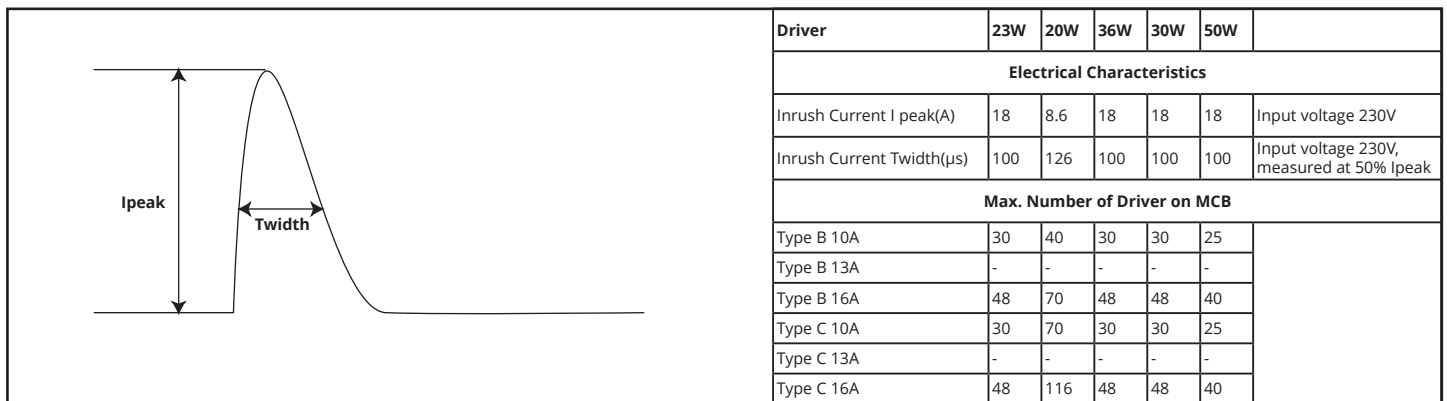


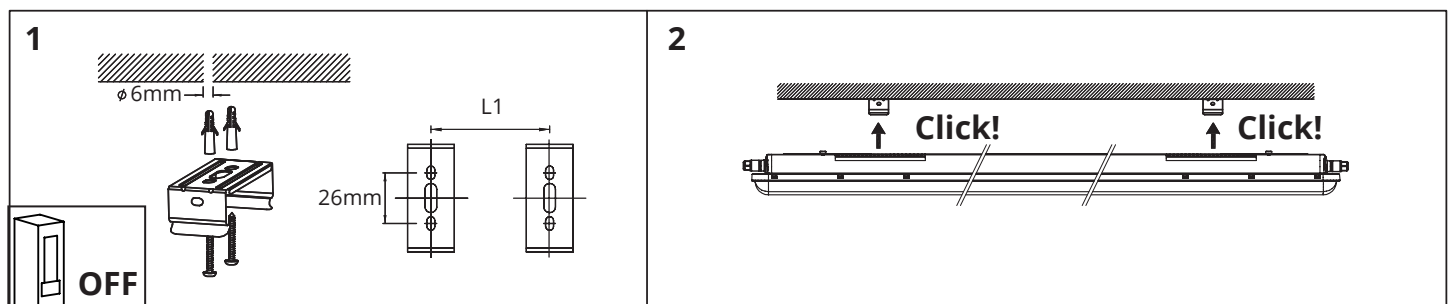


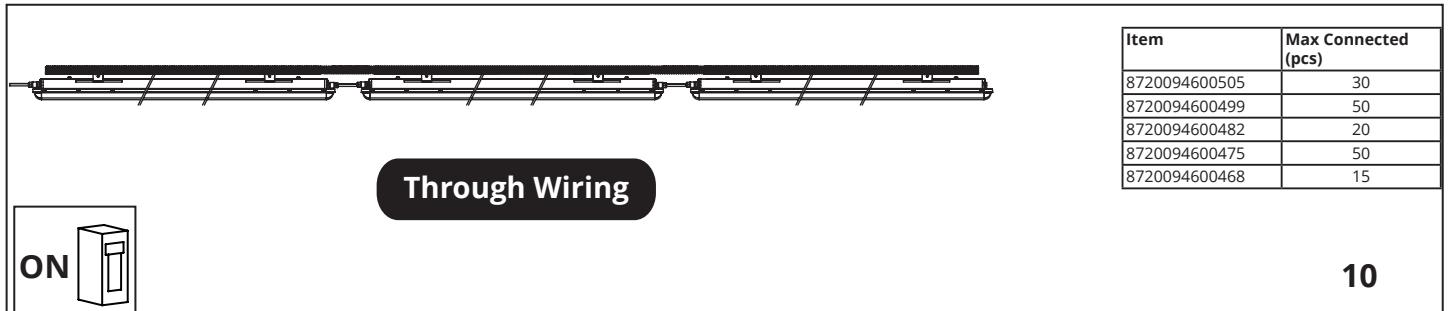
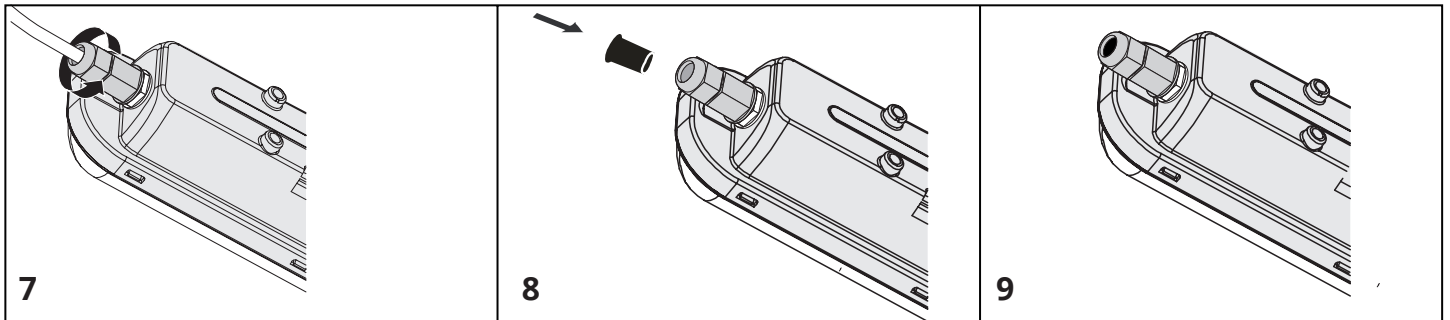
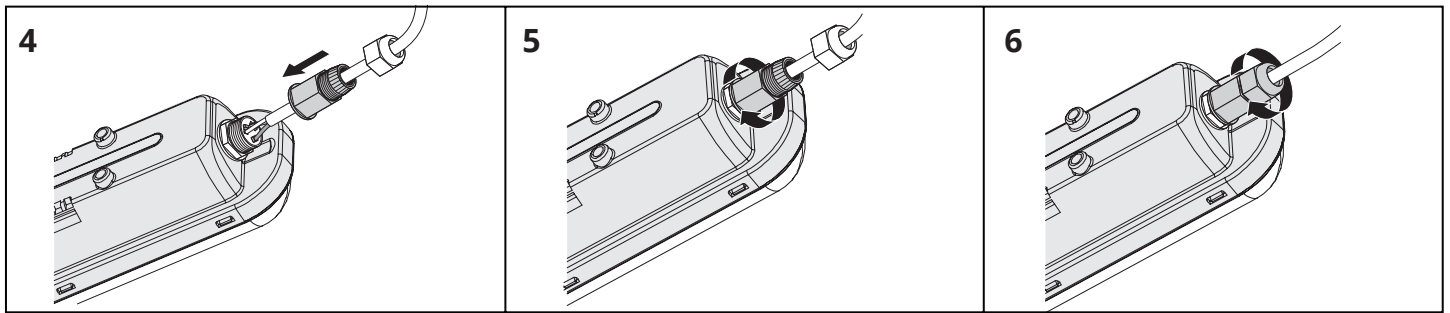
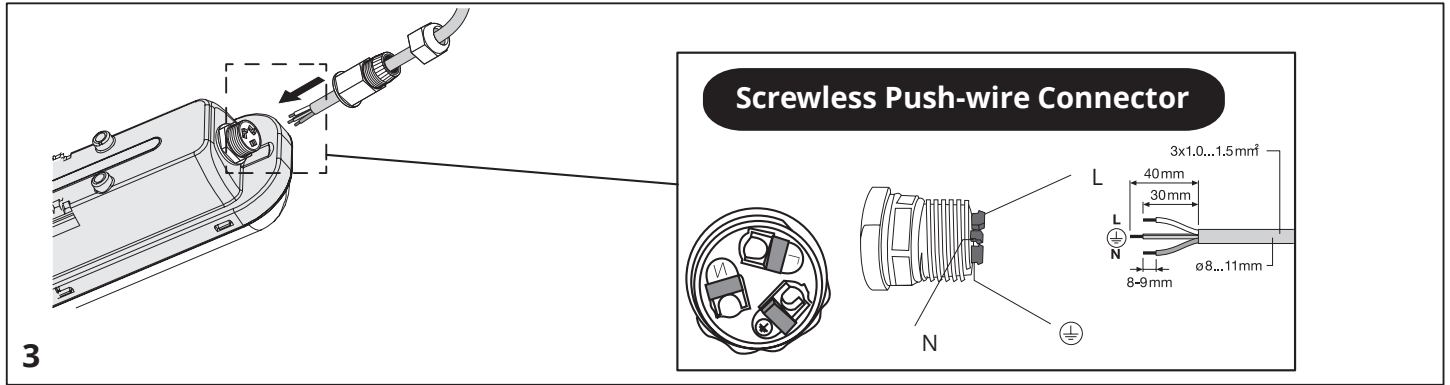
Item Description	EAN	Power (W)	CCT (K)	IP	IK	Ta (°C)	Vac	Hz	PF	CRI (Ra)	KG	L (mm)	L1 (mm)	L2 (mm)
LED Waterproof Essence IP65 23W 600 4000K Incl. 3x1.5mm TW	8720094600505	23	4000	IP65	IK08	-25 ~+35	220-240	50/60	≥0.95	≥80	0.7	600	300	612
LED Waterproof Essence IP65 20W 1200 4000K Incl. 3x1.5mm TW	8720094600499	20	4000	IP65	IK08	-25 ~+35	220-240	50/60	≥0.95	≥80	1.04	1200	800	1212
LED Waterproof Essence IP65 36W 1200 4000K Incl. 3x1.5mm TW	8720094600482	36	4000	IP65	IK08	-25 ~+35	220-240	50/60	≥0.95	≥80	1.04	1200	800	1212
LED Waterproof Essence IP65 30W 1500 4000K Incl. 3x1.5mm TW	8720094600475	30	4000	IP65	IK08	-25 ~+35	220-240	50/60	≥0.95	≥80	1.24	1500	1010	1512
LED Waterproof Essence IP65 50W 1500 4000K Incl. 3x1.5mm TW	8720094600468	50	4000	IP65	IK08	-25 ~+35	220-240	50/60	≥0.95	≥80	1.24	1500	1010	1512

### Inrush current



### Installation





### Warning

- Only qualified electrician is allowed to do installation, maintenance and inspection for safety concern. It is dangerous for non-professional operators.
- Power should be cut off before installation, maintenance or inspection.
- Please install and use the product strictly according to the instruction.
- Do not disassemble or remold the product at will to avoid accident of electric shock or light falling.
- Working out of temperature range of -25~ +35 will shorten the lifetime of the product.

